

## Product Data Sheet

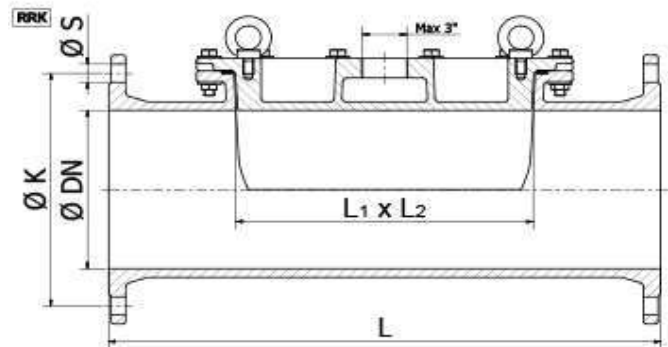
**1. Flanged fittings**  
1.12 Hatchboxes  
**Hatchbox (RRK) PN10/16**

**Material** EN 1563 EN-GJS-500-7  
**Design Std.** EN 545  
**Coating** Epoxy GSK RAL-GZ 662  
**Approval** Kiwa BRL-K772/04



Flanged fittings are made of ductile iron GJS-400/500 (DIN1693 GGG-40/50). Designed acc. to EN 545, flange drilling acc. to EN 1092-2 (ISO 7005-2). Epoxy coated (Resicoat®) acc. to EN 14901 (DIN 30677-2) and GSK certified (RAL-GZ 662).

It is possible to drill a threadhole on the hatchbox cover and to mount an F piece with DN50 Flange on the hatchbox cover.



### Hatchbox (RRK) PN10/16

Article	Article Nr.	PN	ø DN [mm]	L [mm]	L1 [mm]	L2 [mm]	Holes # [DN]	ø K [mm]	ø S [mm]	G [kg]				
RRK 80	1.13RRK2.000010	PN10/16	80	500	250	80	8	160	19	26				
RRK 100	1.13RRK2.010010	PN10/16	100	500	250	100	8	180	19	30				
RRK 125	1.13RRK2.010020	PN10/16	125	550	300	125	8	210	19	42				
RRK 150	1.13RRK2.010030	PN10/16	150	550	300	150	8	240	23	48				
RRK 200	1.13RRK2.020010	PN10/16	200	650	350	200	8	295	23	78				
RRK 250	1.13RRK2.020020	PN10/16	250	700	360	250	12	350	23	106				
RRK 300	1.13RRK2.030010	PN10/16	300	750	400	300	12	400	23	140				
RRK 350	1.13RRK2.030020	PN10/16	350	800	500	350	16	460	23	182				
RRK 400	1.13RRK2.040010	PN10/16	400	900	500	400	16	515	28	235				
RRK 450	1.13RRK2.040020	PN10/16	450	900	500	450	20	565	28	195				
RRK 500	1.13RRK2.050010	PN10/16	500	900	500	500	20	620	28	315				
RRK 600	1.13RRK2.060010	PN10/16	600	1150	650	600	20	725	31	360				
RRK 700	1.13RRK2.070010	PN10/16	700	1270	730	700	24	840	31	430				
RRK 800	1.13RRK2.080010	PN10/16	800	1380	830	800	24	950	34	530				