



AVK CENTRIC DOUBLE FL. BUTTERFLY VALVE, PN 10/16

75/21

Long, fixed EPDM liner for water, duplex/rilsan coated disc

020



AVK centric butterfly valves with fixed liner feature an outstanding seating concept. The rubber is injection moulded directly on the valve body forming a permanent bond. Consequently, there is no risk of deformation or dislocation of the liner making the valves suitable under vacuum conditions. The combination of the profiled disc edge and the excellent AVK rubber quality ensures maximum durability of the liner.

Product Description:

Centric butterfly valve with fixed liner for drinking water and neutral liquids to max. 70°C

Standards:

- Face to face according to EN 558 Table 2 Basic Series 14
- Standard flange drilling to EN1092-2 (ISO 7005-2), PN 10/16

Test/Approvals:

- Hydraulic test according to EN 1074-1 and 2 / EN 12266.
- Approved according to DIN-DVGW Certificate NW-6201AP2412
- Approved according to KIWA Certificate K 6070/05

Features:

- Bonded vulcanized liner of drinking water approved EPDM with an excellent compression set and thus ability to regain its original shape
- Streamlined disc with minimum flow resistance
- Profiled disc edge requires minimal deformation of the liner to achieve tight sealing, and results in less wear of the liner
- Disc, shaft and conical pin of duplex steel in $DN \leq 200$. Disc of rilsan coated ductile iron, and shaft and conical pin of stainless steel in $DN \geq 250$
- Shaft bearings of PTFE coated steel
- Top shaft sealing: $DN \leq 350$: Bronze bushing with two EPDM O-rings, $DN \geq 400$: EPDM O-ring in bushing fixed with countersunk screws of galvanized steel
- Bottom shaft sealing: $DN \leq 350$: Plug of galvanized steel with a copper sealing ring, $DN \geq 400$: Axial bearing and ring of alubronze and an EPDM O-ring, protected by a cover plate of galvanized steel
- Low torques as a result of the profiled disc edge and fixed liner design
- Ductile iron body with 200 μ epoxy coating blue RAL 5017

Accessories:

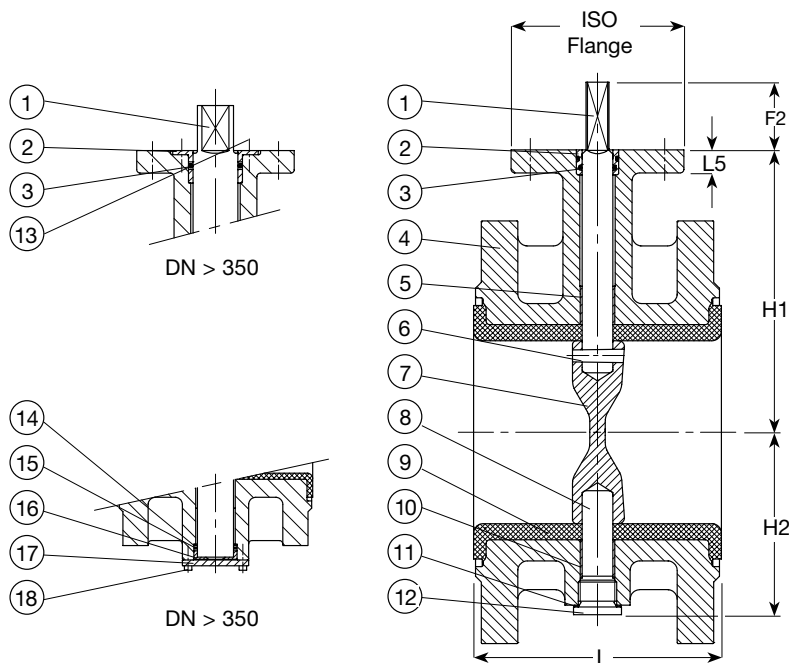
Lever, gearbox, pneumatic and electric actuators, universal Supa flange adaptor, dedicated tensile Supa Plus™ flange adaptor for PE/PVC, universal tensile Supa Maxi™ flange adaptor



AVK



kiwa



Component List:

1. Shaft	Duplex steel	2. Bushing	Bronze
3. O-ring	EPDM rubber	4. Body	Ductile iron, EN-GJS-400-15 (GGG-40)
5. Bearing	PTFE coated steel	6. Conical pin	Duplex steel
7. Disc	=200 Duplex steel, DN=250 rilsan coated	8. Shaft	Duplex steel
9. Lining	EPDM rubber	10. Bearing	PTFE coated steel
11. Sealing ring	Copper	12. Plug	Galvanized steel
13. Screw	Galvanized steel	14. Ring	Alubronze
15. O-ring	EPDM rubber	16. Axial bearing	Alubronze
17. Cover plate	Galvanized steel	18. Screw	Galvanized steel

Components may be substituted with equivalent or higher class materials without prior notification.

Reference Nos. and Dimensions:

AVK ref. nos	AVKI No.	DN mm	Flange drilling	L mm	H1 mm	H2 mm	F2 mm	L5 mm	ISO flange	Theoretical weight kg
75-0050-21-223002614200 ⁽¹⁾	75-00913	50	PN10/16	150	118	63	34	12	90	11
75-0065-21-223002614200 ⁽¹⁾	75-00914	65	PN10/16	170	126	71	34	12	90	13
75-0080-21-223002614200 ⁽¹⁾	75-00915	80	PN10/16	180	133	78	34	12	90	17
75-0100-21-223002614200 ⁽¹⁾	75-00934	100	PN10/16	190	147	98	34	12	90	20
75-0125-21-223002614200 ⁽¹⁾	75-00917	125	PN10/16	200	160	109	34	12	90	26
75-0150-21-223002614200	75-00936	150	PN10/16	210	180	133	34	14	90	31
75-0200-21-223001314200	75-00938	200	PN10	230	204	158	34	14	90	45
75-0250-21-225101314200	75-00920	250	PN10	250	245	194	45	15	125	70
75-0300-21-225101314200	75-00921	300	PN10	270	270	219	45	15	125	90
75-0350-21-225101314200	75-00922	350	PN10	290	315	256	45	15	125	120
75-0400-21-225101314200	75-00923	400	PN10	310	363	308	50	25	175	165
75-0450-21-225101314200	75-00924	450	PN10	330	388	334	50	25	175	200
75-0500-21-225101314200	75-00925	500	PN10	350	413	360	50	25	175	230
75-0600-21-225101314200	75-00926	600	PN10	390	510	426	50	25	175	320
75-0700-21-225101314200	75-00927	700	PN10	430	560	480	60	25	210	420
75-0800-21-225101314200	75-00928	800	PN10	470	690	635	90	30	210	610
75-0900-21-225101314200	75-00929	900	PN10	510	690	635	90	30	300	820

For further details see section "Technical Information".
The designs, materials and specifications shown are subject to change without notice due to the continuous development of our product programme.

AVK ref. nos	AVKI No.	DN mm	Flange drilling	L mm	H1 mm	H2 mm	F2 mm	L5 mm	ISO flange	Theoretical weight kg
75-1000-21-225101314200	75-00930	1000	PN10	550	740	685	90	30	350	1130

⁽¹⁾ Disc material in duplex