

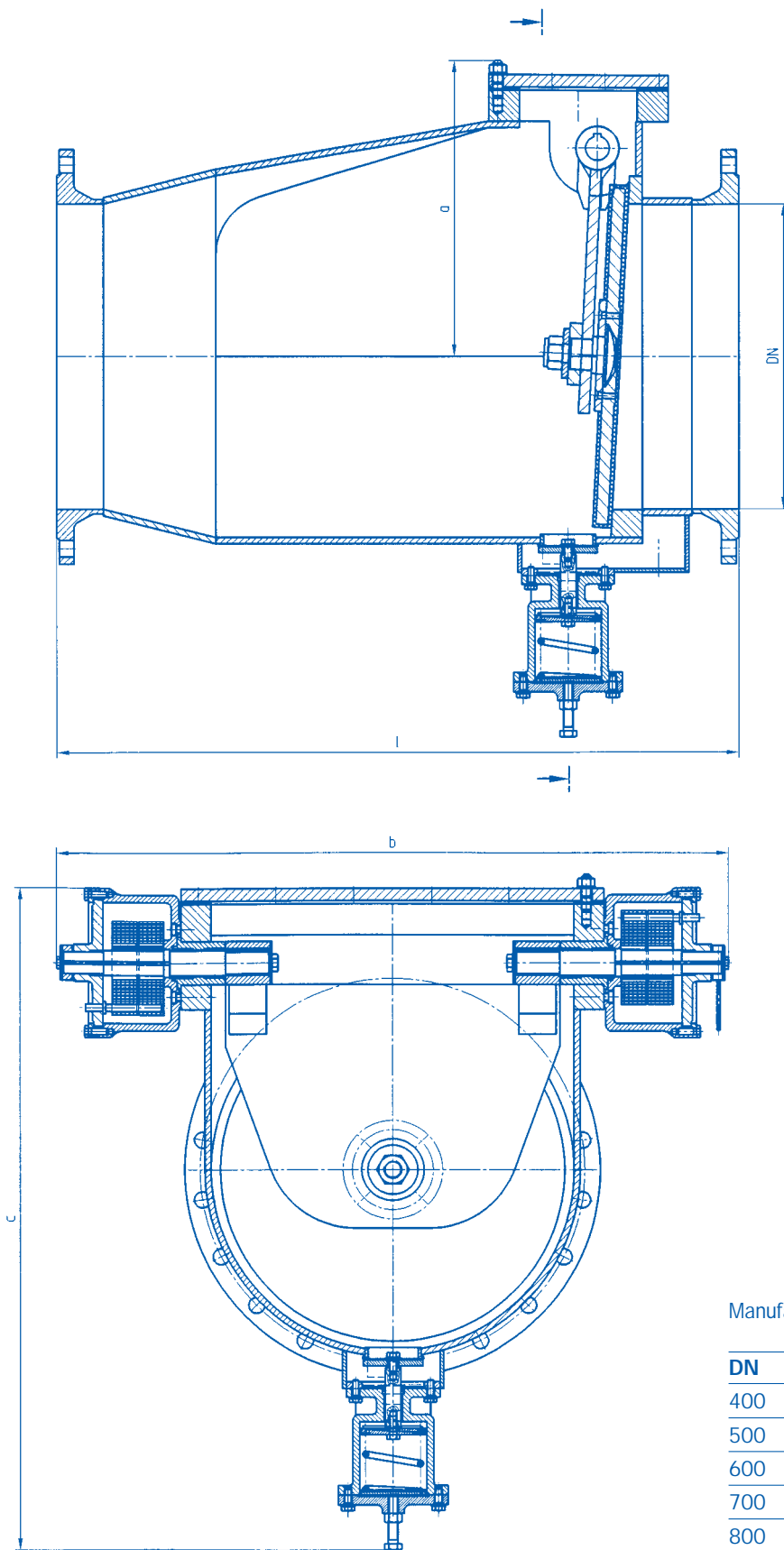
DN	a	b	c	l	kg
250	290	630	795	600	196,40
300	335	715	865	700	291,40
350	370	770	930	800	363,40

Copyright as per DIN 34

Scale: \times

RSK-FTUD (DN 250 - DN 350)

STRATE non-return valve with spring-loading and by-pass with pressure-surge damping valve



Manufactured in welded steel

DN	a	b	c	l
400	400	960	960	900
500	480	1085	1100	1100
600	530	1195	1200	1300
700	585	1370	1300	1500
800	630	1470	1400	1700

Copyright as per DIN 34	RSK-FTUD (DN 400 - DN 800) STRATE non-return valve with spring-loading and by-pass with pressure-surge damping valve
Scale: 1:1	

