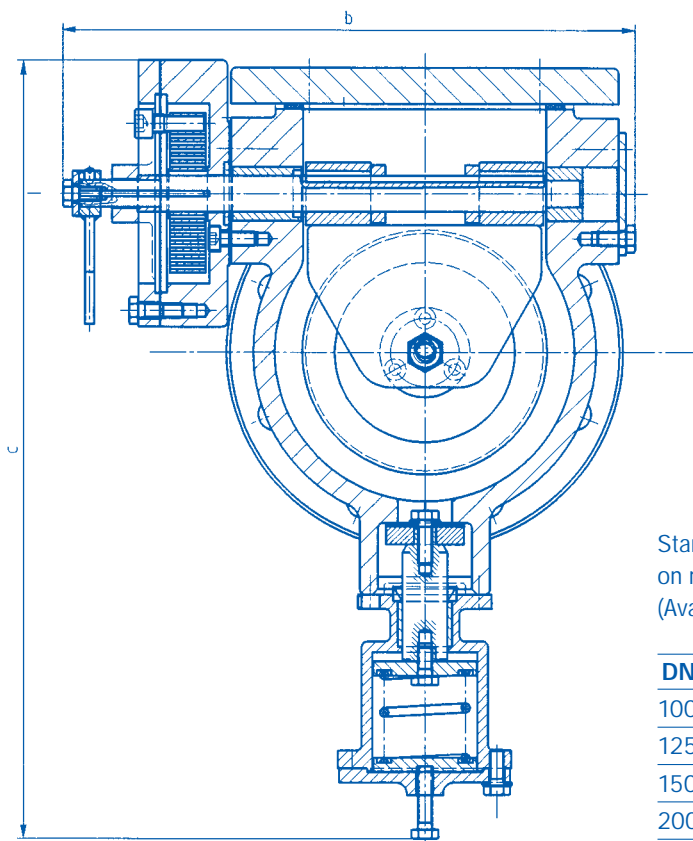
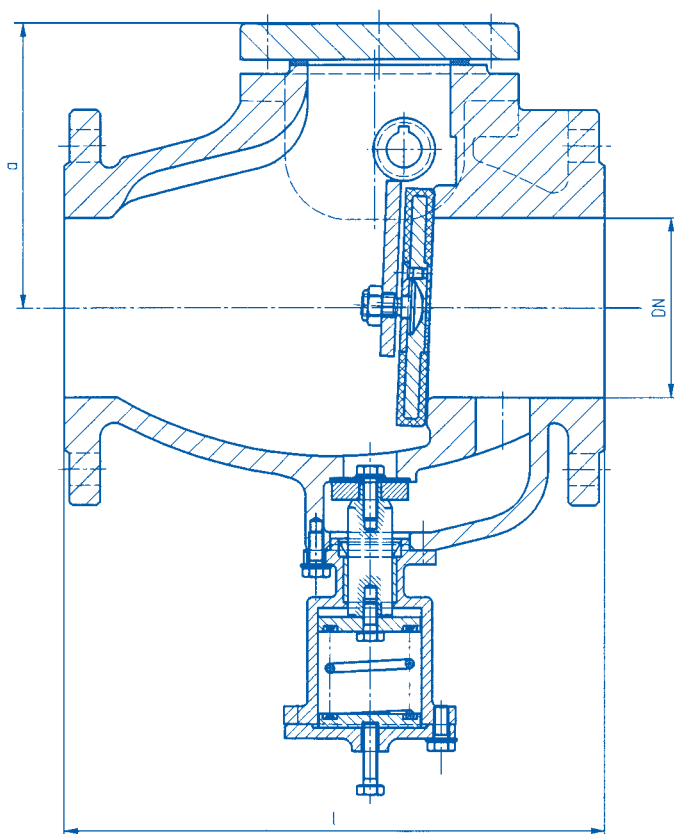


Manufactured in welded steel

DN	a	b	c	l
400	400	960	810	900
500	480	1085	950	1100
600	530	1195	1050	1300
700	585	1370	1160	1500
800	630	1470	1250	1700

Copyright as per DIN 34	RSK-FTU (DN 400 - DN 800) STRATE non-return valve with spring-loading and by-pass with stop-cock
Scale: 1/1	



Standard design: spring housing mounted on right when viewed in direction of flow.
(Available mounted on left on request)

DN	a	b	c	l	kg
100	165	325	435	300	44,40
125	185	340	475	350	57,40
150	215	380	540	400	70,40
200	270	460	615	500	132,70

Copyright as per DIN 34

Scale: 1:1

RSK-FTUD (DN 100 - DN 200)

STRATE non-return valve with spring-loading and by-pass with pressure-surge damping valve

