

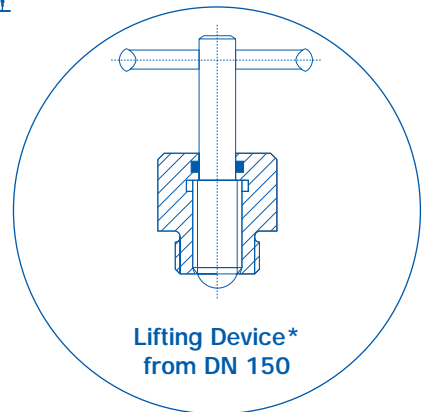
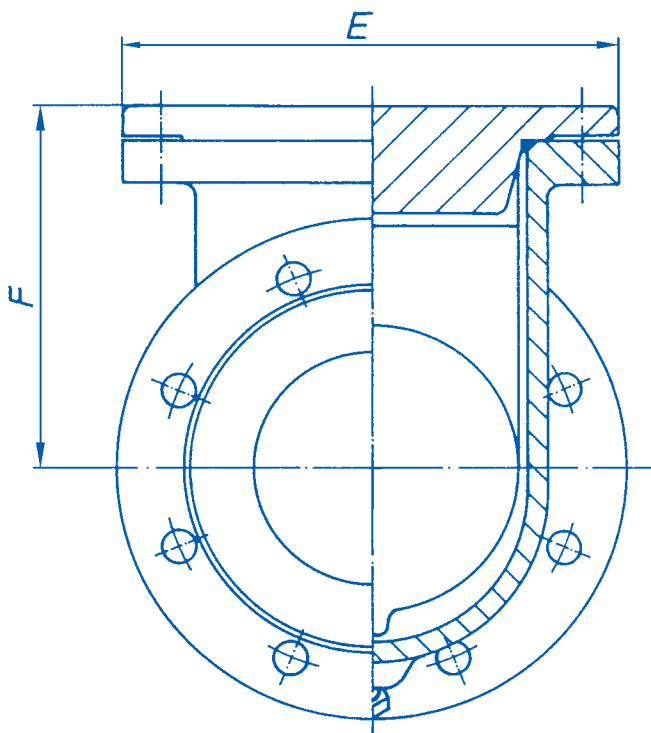
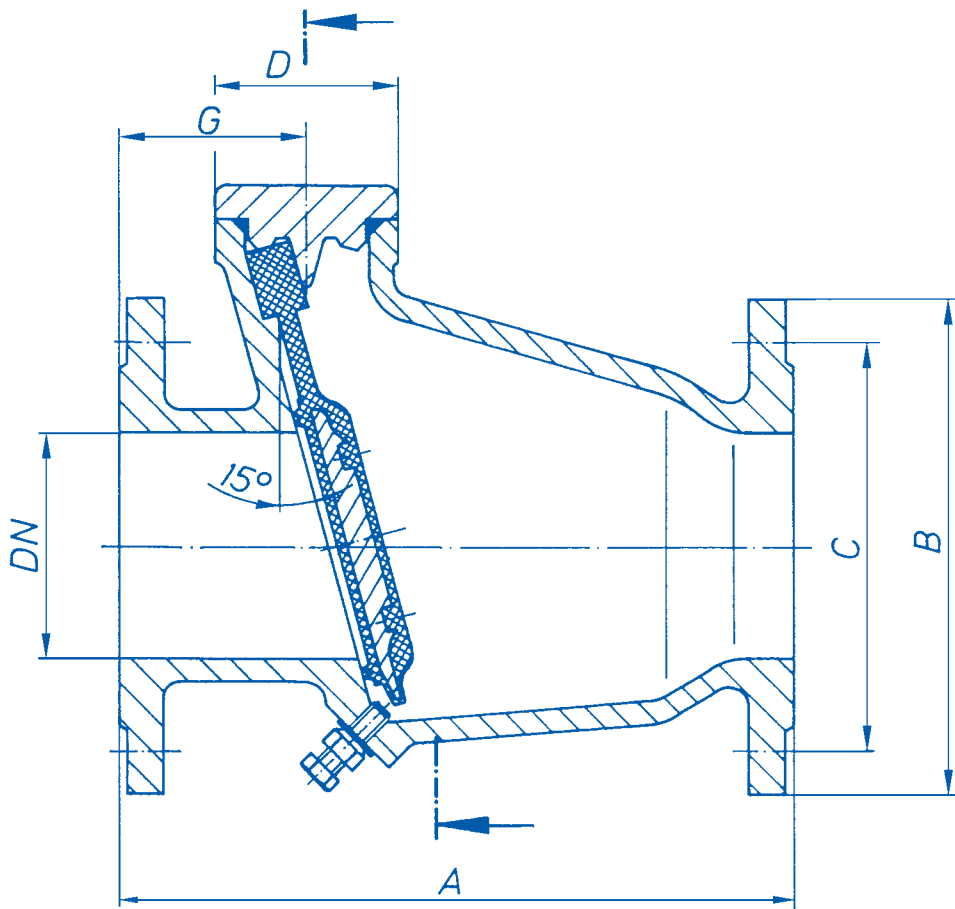
DN	Dimensions in mm							Weight kg
	A	B	C	D	E	F	G	
50	200	165	125	65	142	120	65,0	10,0
65	240	185	145	75	156	130	76,0	14,0
80	260	200	160	80	175	140	82,0	17,5
100	300	220	180	80	216	160	83,0	24,0
125	350	250	210	85	248	180	85,5	37,5
150	400	285	240	85	276	192	91,5	49,0
200	500	340	295	100	360	223	103,5	88,0
250	600	395	350	250	430	280	158,0	134,0
300	700	445	400	270	486	315	172,0	206,0

Copyright as per DIN 34

Scale: \neq

AWASTOP

STRATE non-return valve without flap-lifter



DN	Dimensions in mm							Weight kg
	A	B	C	D	E	F	G	
50	200	165	125	65	142	120	65,0	10,0
65	240	185	145	75	156	130	76,0	14,0
80	260	200	160	80	175	140	82,0	17,5
100	300	220	180	80	216	160	83,0	24,0
125	350	250	210	85	248	180	85,5	37,5
150*	400	285	240	85	276	192	91,5	49,0
200*	500	340	295	100	360	223	103,5	88,0
250*	600	395	350	250	430	280	158,0	134,5
300*	700	445	400	270	486	315	172,0	206,5

Copyright as per DIN 34

Scale: \neq

AWASTOP
STRATE non-return valve with flap-lifter

