

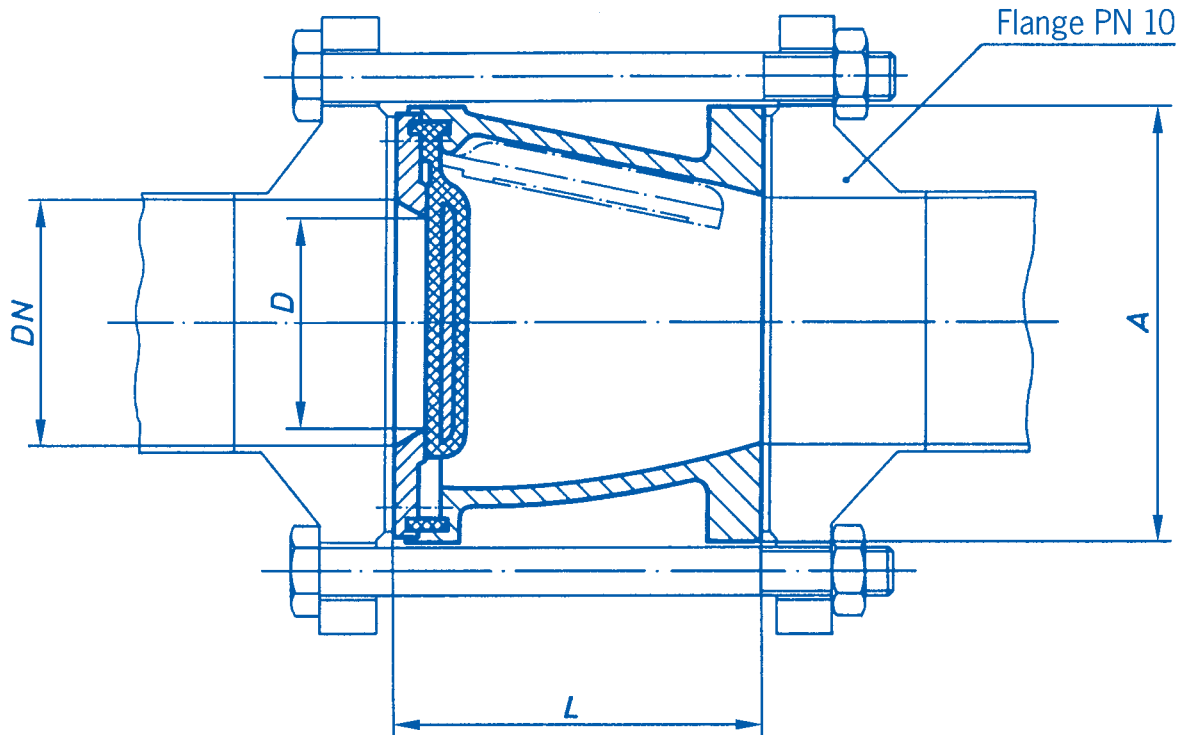
Sealing valve in rubber with steel insert
Cast housing in GG 25

DN	Weight kg	Dimensions in mm				
		A	B	C	D	E
65	10	155	185	216,0	123	111
80	14	185	200	236,0	136	124
100	19	200	220	262,0	152	150
125	24	230	250	293,0	168	176
150	33	265	285	340,5	198	206
200	53	365	340	405,0	235	265
250	80	420	395	465,5	268	325

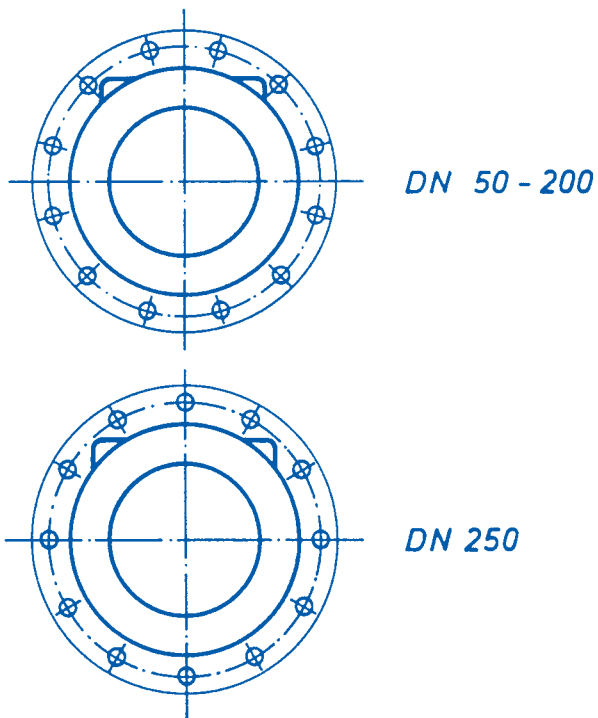
Copyright as per DIN 34

Scale: 1:1

STRATE non-return valve
Short form (KB)



Flange arrangement



DN	D	L	A	Free through-flow passage as % of DN
50	45	80	105	81
65	55	100	124	72
80	70	120	140	77
100	88	140	160	77
125	110	180	193	77
150	130	200	215	75
200	160	230	272	64
250	195	280	324	61

