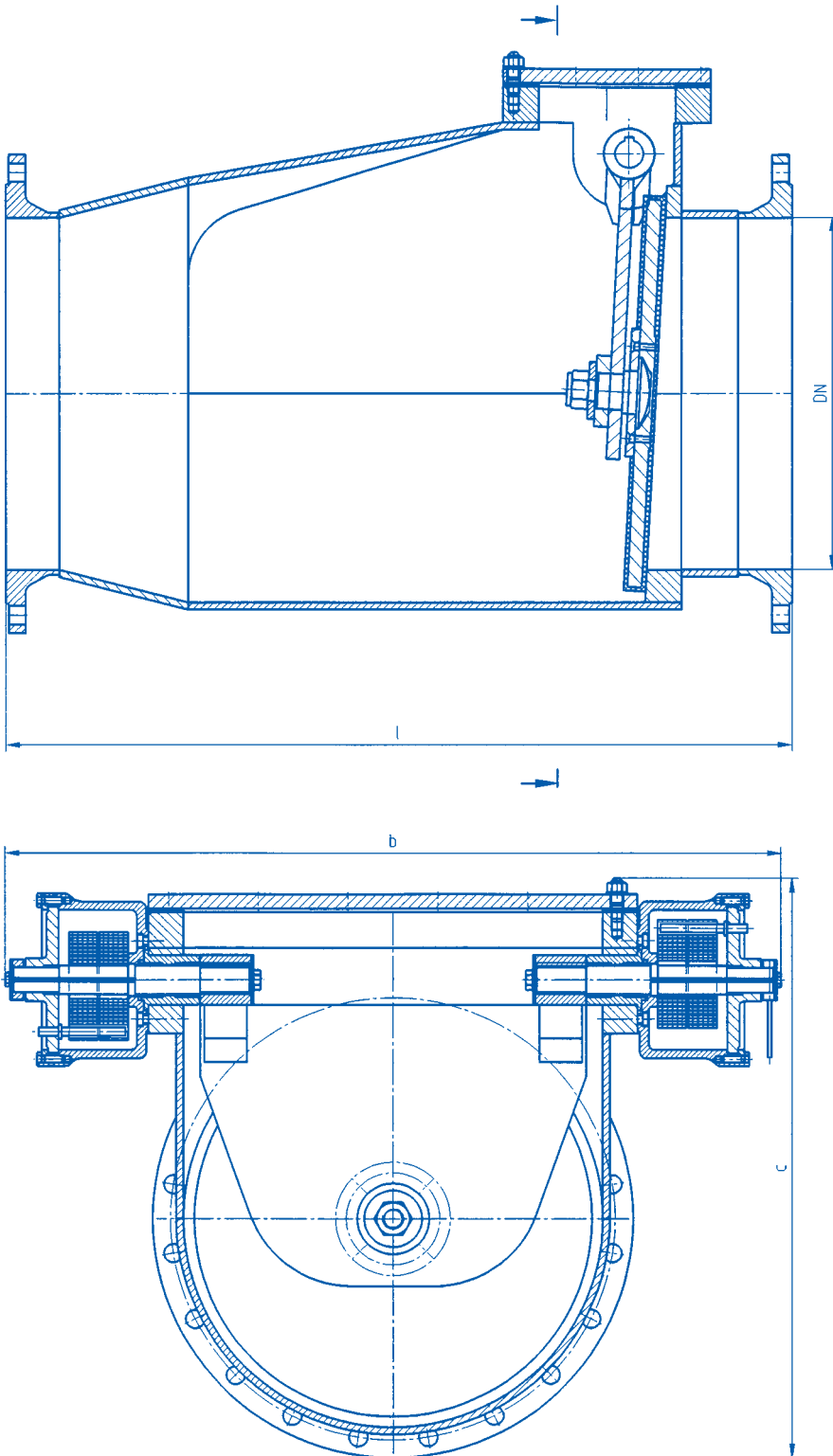


DN	a	b	c	l	kg
250	290	630	490	600	180,00
300	335	715	560	700	273,00
350	370	770	625	800	344,00

Copyright as per DIN 34
 Scale: 1/2

RSK-FT (DN 250 - DN 350)
STRATE non-return valve with spring-loading



Manufactured in welded steel

DN	a	b	c	l
400	400	960	685	900
500	480	1085	815	1100
600	530	1195	920	1300
700	585	1370	1035	1500
800	630	1470	1140	1700

Copyright as per DIN 34	RSK-FT (DN 400 - DN 800) STRATE non-return valve with spring-loading
Scale: \neq	

